

Rotary Actuators

Special and Security Family

M91xx-xxx-1N4

(Joventa SAx.1xxx / SM1.1x)

8 and 16 Nm



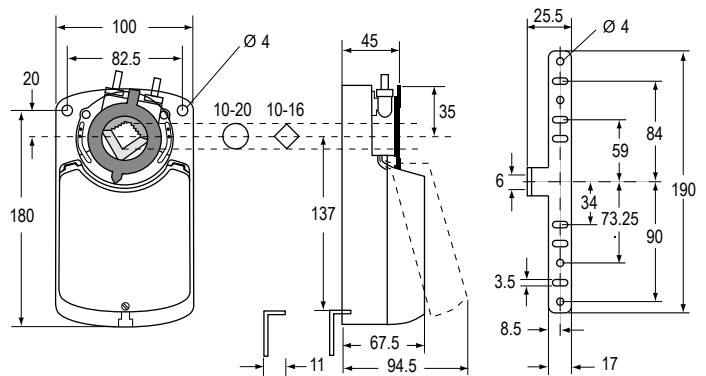
The Special electric actuators have been specially designed for use with small and medium-sized air dampers and for terminal control units in air volume control systems.

Thanks to their very small size and clever construction they are also ideal for applications where space is limited.

A key feature of the design is the special Johnson Controls spindle adapter which also incorporates angle-of-rotation limiting and position indication.

Features

- ON/OFF, Floating and Proportional Control
- Paralleling of up to 5 actuators possible
- Screw terminal connections
- Universal adapter for:
Round spindles from 10 to 20 mm \varnothing
or adapter Z01DN... for Square spindles 10 to 16 mm,
min. ax length 48 mm
- Choice of rotation
- Angle-of-rotation limiting
- Manual control by pushbutton
- Automatic end stops
- Power saving at end stops
- Customising available
- IP54



Dimensions in mm

Special and Security Family

M91xx-xxx-1N4 (*Joventa SAx.1xxx / SM1.1x*)

Ordering Codes		Running Time	Damper Size	Control Signals	2 x Auxiliary Contacts	Feedback Potentiometer	Supply Voltage (50/60Hz)		
Johnson Controls	Joventa*								
8 Nm									
M9108-AGA-1N4	SA1.10	8 s	1.5 m ²	ON/OFF and Floating	---	---	AC/DC 24 V		
M9108-AGC-1N4	SA1.10S				•	---			
M9108-AGE-1N4	SA1.10P1				---	1 KOhm			
M9108-AGD-1N4	SA1.10P2				---	140 Ohm			
M9108-AGF-1N4	SA1.10P4				---	2 KOhm			
M9108-ADA-1N4	SA2.10				---	---			
M9108-ADC-1N4	SA2.10S				•	---	230 VAC		
M9108-ADE-1N4	SA2.10P1				---	1 KOhm			
M9108-ADD-1N4	SA2.10P2				---	140 Ohm			
M9108-ADF-1N4	SA2.10P4				---	2 KOhm			
M9108-GGA-1N4	SM1.10			Proportional 0(2)...10 VDC 0(4)...20 mA	---	---	AC/DC 24 V		
M9108-GGC-1N4	SM1.10(S)				•	---			
16 Nm									
M9116-AGA-1N4	SA1.12			16 s	3.0 m ²	ON/OFF and Floating	---	---	AC/DC 24 V
M9116-AGC-1N4	SA1.12S	•	---						
M9116-AGE-1N4	SA1.12P1	---	1 KOhm						
M9116-AGD-1N4	SA1.12P2	---	140 Ohm						
M9116-AGF-1N4	SA1.12P4	---	2 KOhm						
M9116-ADA-1N4	SA2.12	---	---						
M9116-ADC-1N4	SA2.12S	•	---				230 VAC		
M9116-ADE-1N4	SA2.12P1	---	1 KOhm						
M9116-ADD-1N4	SA2.12P2	---	140 Ohm						
M9116-ADF-1N4	SA2.12P4	---	2 KOhm						
M9116-GGA-1N4	SM1.12	Proportional 0(2)...10 VDC 0(4)...20 mA	---			---	AC/DC 24 V		
M9116-GGC-1N4	SM1.12(S)		•			---			

Note

* by adding a K after the type number you will acquire the same model with a Halogene free cable (1 m)