



## Electronic heating controller

### ER65-DRW

*Digital controller hot water and air unit*

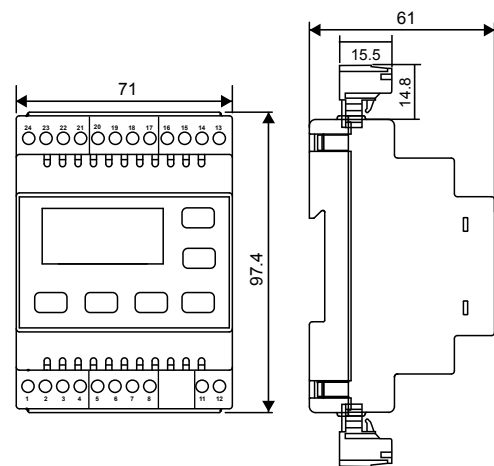
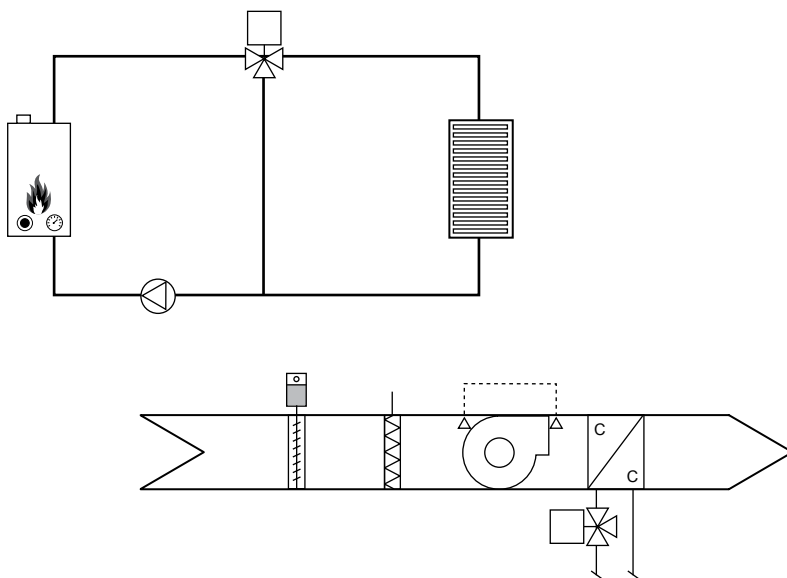
The controller is a digital device for domestic or residential heating units. It covers water and air heating applications.

All-in-one design allows full flexibility to apply a single controller to many small heating applications.

The controller incorporates a comprehensive energy saving application, and can be connected to a supervisory system via its on board communications port.

#### Features

- ▶ Standard heating systems
- ▶ Compact design: up to 3 sensors, 2 digital inputs and 5 outputs in a 4 DIN modules housing
- ▶ Robust front panel for durability and long term use
- ▶ Removable plug connectors for quick mounting and wiring
- ▶ Direct 230 V supply: no external transformer required
- ▶ Embedded RS485: no additional communication card required
- ▶ Pre-set models and selectable options to extend controller options



Dimensions in mm

#### Ordering information

Code	Description
ER65-DRW-501C	Heating controller, sensor not included, compatible with the ER-NTC sensor line, Modbus communication