

Spring return damper actuators

M9208-xxx-1

(*Joventa DBF1.08 / DAFx.08 / DMF1.08*)

8 Nm, ON/OFF, floating and proportional control

The spring return electric damper-actuator series has been specially developed for the motorized operation of air dampers in air conditioning systems.

When the control signal is applied the actuator drives the damper to the operational position, while evenly tensioning the integrated spring. After a power failure the stored energy in the spring immediately brings the damper to the safety position.

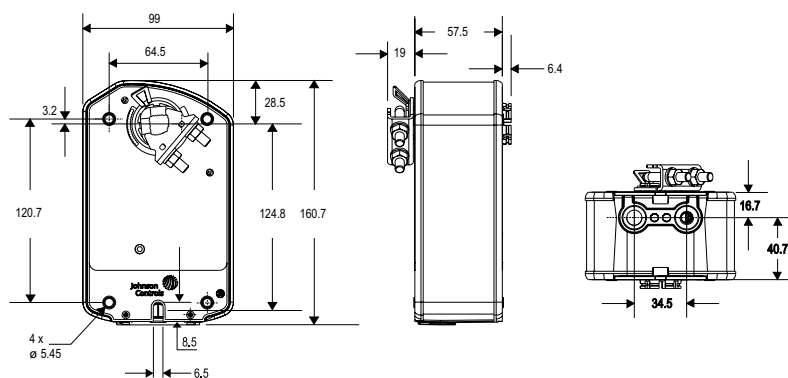
Manual operation is automatically cancelled when the actuator is in electrical operation.

The compact design and universal adapter fitted with limitation of rotation angle make this actuator highly versatile.



Features

- ▶ ON/OFF and floating control signal
- ▶ Up to 5 actuators in parallel operation possible
- ▶ Electrical connection with halogen-free cable
- ▶ Simple direct mounting with universal adapter on \varnothing 8 mm to 16 mm shaft or 6 mm to 12 mm square shaft. An optional M9208-600 Jackshaft coupler kit is available for 12 to 19 mm round shafts, or 10 mm to 14 mm square shafts
- ▶ Limitation of rotation angle
- ▶ Manual positioning with crank handle
- ▶ 2 auxiliary switches, 1 adjustable



Dimensions in mm

Ordering information

Codes		Torque	Running time		Control signals	2 x auxiliary contacts	Supply voltage (50/60Hz)
Johnson Controls	Joventa		Motor	Spring			
M9208-AGA-1	DBF1.08N	8 Nm	150 s	17...25 s	ON/OFF or floating	---	24 VAC / 24 VDC
M9208-AGC-1	DBF1.08SN					•	
M9208-BGA-1	DAF1.08N		55...71 s	13...26 s	ON/OFF	---	24 VAC
M9208-BGC-1	DAF1.08SN					•	
M9208-BDA-1	DAF2.08N		55...71 s			---	230 VAC
M9208-BDC-1	DAF2.08SN					•	
M9208-GGA-1	DMF1.08N		150 s	17...25 s	Proportional 0...10 VDC 2...10 VDC	---	24 VAC / 24 VDC
M9208-GGC-1	DMF1.08SN					•	