

## Pressure

### PT-5217

#### Liquid or air pressure transmitter

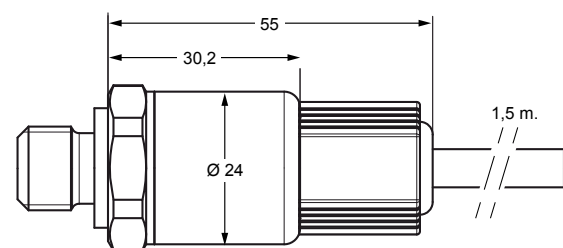
The PT-5217 pressure transmitter accurately measures pressure and converts the measurement into a standard proportional 0...10 V signal.

The PT-5217 is especially adapted to measure relative and absolute pressure of liquid and gases.

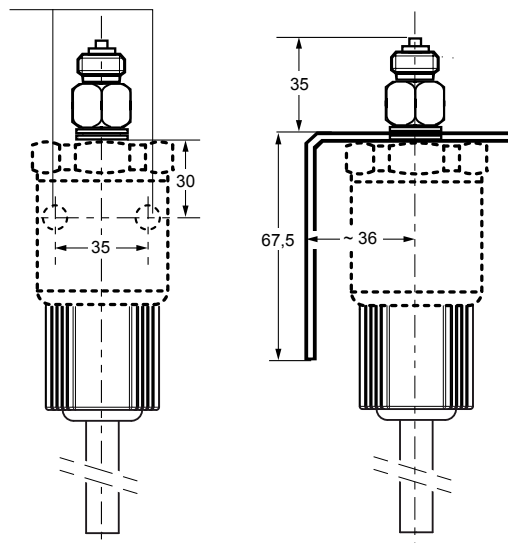
The pressure transmitter consists of a piezoresistive ceramic measuring cell with a diaphragm, installed in a stainless steel housing.

#### Features

- ▶ Compact, rugged construction
- ▶ Negligible temperature influence on accuracy
- ▶ Low hysteresis
- ▶ High accuracy
- ▶ Direct mounting, 1.5 m cable included
- ▶ Splash proof enclosure



Mounting holes  
Ø 5,4 mm



Dimensions in mm

#### Ordering information

Codes	Operating range	Enclosure	Supply voltage
PT-5217-7011	0...100 kPa	IP67	24 VAC +15% / -15%, 50/60 Hz or 12...33 VDC, < 7 mA
PT-5217-7101	0...1000 kPa		

#### Accessories (order separately)

Codes	Description
EQ-6056-7000	Mounting kit for plastic hose 4 x 6 mm
EQ-0100-7001	Mounting kit for DIN rail