

Spring return plant valve actuators

VA1000

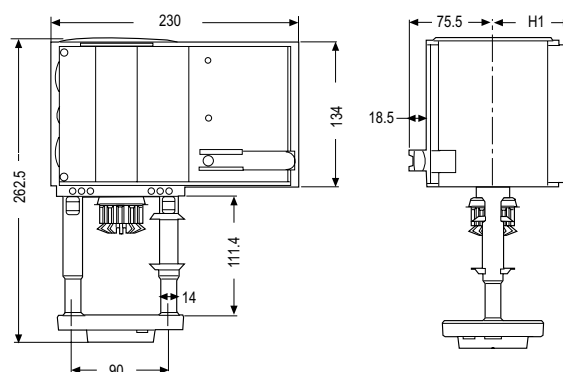
Floating and proportional control

The VA1000 valve actuators are used to control valves in HVAC systems. They are of modular construction so that the required type of control signal is achieved simply by fitting a module with the required function in-situ.

It can be mounted onto VG8000, VG8300 and VG9000 series valves.

Features

- ▶ 24 VAC and 230 VAC power supply
- ▶ Floating and proportional control
- ▶ Manual override
- ▶ Automatic stem coupling
- ▶ Actuator fixed to valve with one ring nut
- ▶ Self adjusting, automatic stroke adjustment, calibrated pressure control at the end positions
- ▶ 2 aux. switches, feedback potentiometer and split range unit available
- ▶ IP66
- ▶ Selectable characteristic curve
- ▶ Selectable running time



Dimensions in mm

	VA1125-GGA-1	VA1220-GGA-1 & VA1420-GGA-1
H1	60	73

Ordering information

Codes	24 V actuators	Power consumption	Protection class	Nominal stroke
VA1220-GGA-1	2000N; Spring return retracts	17 VA	IP66	49 mm
VA1420-GGA-1	2000N; Spring return extends			

Accessories modules for in-situ installation

Codes	Description
VA1000-M230N	AC 230 V module
VA1000-M100N	AC 100 V module
VA1000-P2	2 K Ω feedback potentiometer
VA1000-S2	2 SPDT aux. switches
VA1000-SRU	Split range unit module for proportional actuators only
VA1000-EP	Extension kit for applications with temperatures greater than 140°C up to 200°C