

Linear Actuators for Plant Valves

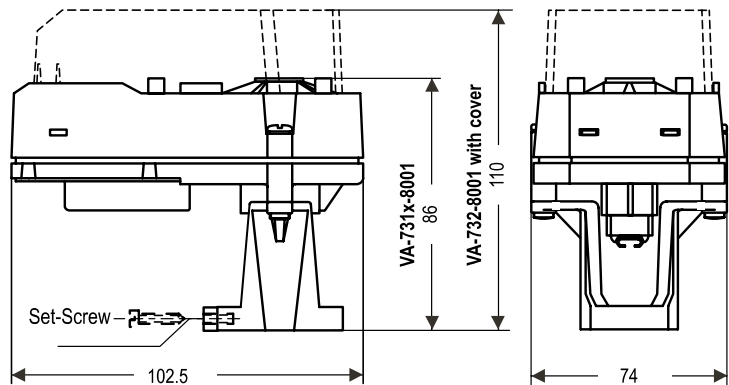
VA-7310

Floating and Proportional Controls

The VA-7310 Series provides floating or proportional control and can be mounted onto VG7000 globe control valves with slotted stem (VG7xxxxS).

Features

- 24 VAC supply voltage
- Floating and proportional control
- Manual override using a standard 5 mm allen key
- Configurable to Direct and Reverse action



Dimensions in mm

Ordering Codes	Supply Voltage (50Hz)	Control	Force	Stroke	Full Stroke Time	Protection Class	Power Consumption
VA-7310-8001	24 VAC	Floating	150 N ±20%	8 mm (max. 10 mm)	60 sec	IP 40	2 VA
VA-7312-8001		Proportional					