



Rotary actuators for butterfly valves

VA-9070

*68 - 2430 Nm, ON/OFF, floating and proportional control
Rotary actuators for butterfly valves*

The actuator is specially developed for use with VFB butterfly valves in the HVAC industry.

These bidirectional actuators are direct mounted on VFB valves without any linkage. A single VA-9070 provides 68, 226, 565, 735, 1470 and 2034 Nm torque depending on the model.

With a power supply of 24 VAC or 230 VAC the actuators can be controlled in ON/OFF, floating or proportional configuration.

Two isolated auxiliary switches and an electrical heater are standard in these series. The protection class is IP65 to ensure a dust-proof and shower-proof from all angles.

An hand operation is standard. When hand operation is active, a yellow ring is displayed and the actuator motor is not operative. the position indicator is clearly recognizable all around.

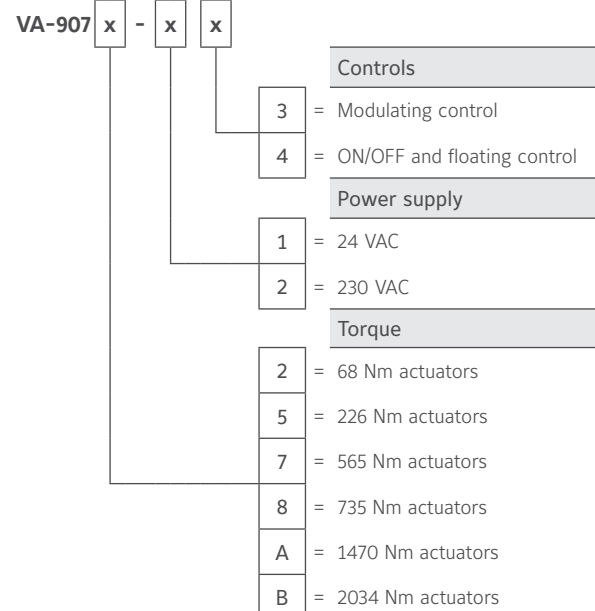
The opening and closing speed is independently adjustable in the proportional application.



Features

- ▶ Exact positioning ensures precise flow control
- ▶ Complete opening and closing from 100% to 0
- ▶ Range from 68 Nm to 2034 Nm
- ▶ Self-regulating heater as standard
- ▶ Construction optimized for operation with butterfly valves.
- ▶ Two isolated auxiliary switches as standard

Key codes

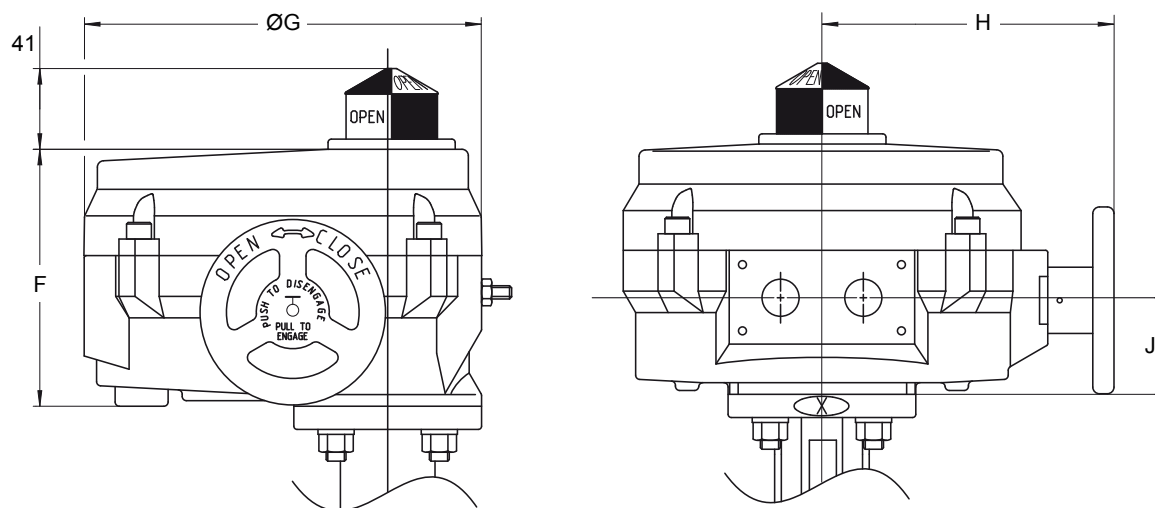


Rotary actuators for butterfly valves

VA-9070

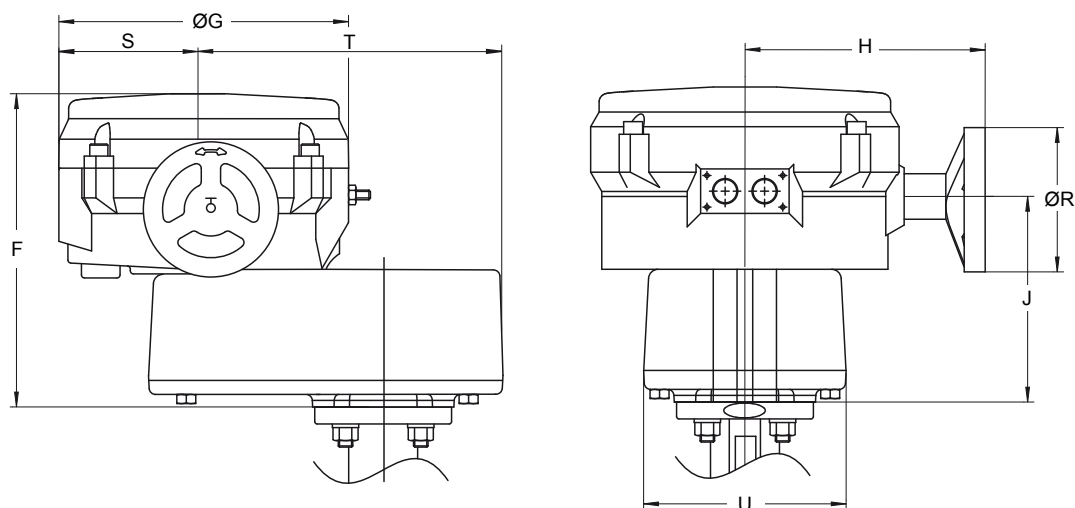
Dimensions in mm

Valves with VA-9072 / VA-9075 / VA-9077 / VA-9078 actuators



Actuator model	F	G	H	J	S	T	R	U	Top flange
VA-9072	130	191	142	48	---	---	---	---	F07
VA-9075	165	257	198	64	---	---	---	---	F07/F12

Valves with VA-907A / VA-907B actuators



Actuator model	F	G	H	J	S	T	R	U	Top flange
VA-9077 / VA-9078	183	307	241	74	---	---	---	---	F12/F16
VA-907A / VA-907B	317	307	241	206	155	323	305	203	F12/F16