

Pressure independent valves

VPA

DN50...150, PN16

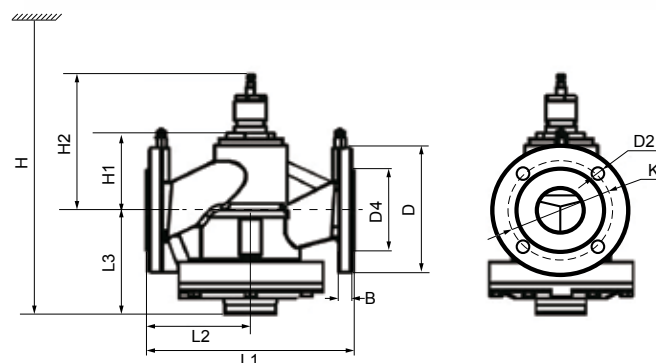
VPA pressure independent control valve is a combination of a differential pressure regulator and a regulating valve for flow adjustment.

VPA valves offer a remarkable adjustment flexibility. In combination with VAP actuators they can be set to a specific flow rate value and they allow precise modulating control. The valves always guarantee a suitable flow rate, therefore avoiding too high energy consumption.

Since VPA valve performs the functions of two valves (balancing and adjustment), the installation costs are considerably reduced. The automatic flow rate limitation eliminates system adjustment costs. Since adjustment is very easy to perform, design flow rates can be modified at any time and at low costs.

Features

- ▶ The max. flow of VPA valve could be set according to the requirement. The flow can be set easily by the actuator potentiometer.
- ▶ The built-in balancing tube has more compact structure and can avoid damages during shipping and installation compared to the external tube.
- ▶ Valve body is made of ductile iron material, with anticorrosion treatment on the surface
- ▶ High close-off pressure with very low leakage rate
- ▶ Linear actuator with high control accuracy provides the equal percentage flow curve



Dimensions in mm

DN	B	D	D2	D4	K	L1	L2	L3	H1	H	Weight (kg)
50	20	Ø 165	4 - Ø 18	Ø 99	Ø 125	230	115	136	95	461	19
65	20	Ø 185	4 - Ø 18	Ø 118	Ø 145	290	145	155	115	500	28
80	20	Ø 200	8 - Ø 18	Ø 132	Ø 160	310	155	167	148	698	36
100	22	Ø 220	8 - Ø 18	Ø 156	Ø 180	350	181	181	150	710	54
125	22	Ø 250	8 - Ø 18	Ø 184	Ø 210	400	200	197	158	745	68
150	24	Ø 285	8 - Ø 22	Ø 211	Ø 240	480	240	222	198	810	89

Pressure independent valves

VPA
Ordering information

Valves	DN (mm)	in.	PN	Closing pressure (bar)	Flow rate			Stroke (mm)	Actuators	ΔP Range (kPa)
					m ³ /h	l/s	GPM			
VPA050-C	50	2"	16	16	13	3.64	57	20	VAP1000-24-C	35-400
VPA065-C	65	2-1/2"	16	16	21	5.8	92	20	VAP1000-24-C	35-400
VPA080-C	80	3"	16	16	28	7.8	123	40	VAP3000-24-C	35-400
VPA100-C	100	4"	16	16	50	13.9	219	40	VAP3000-24-C	35-400
VPA125-C	125	5"	16	16	90	25.0	396	40	VAP3000-24-C	35-400
VPA150-C	150	6"	16	16	145	40.3	638	40	VAP3000-24-C	35-400

Note

Valve closes when valve stem retracts.